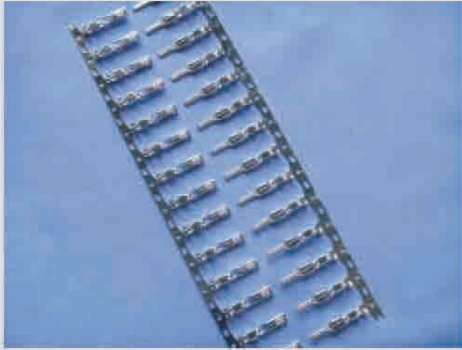


B450003



- ▶ 主要技术特性 (Main Specifications)
- ▶ 适用导线规格 (Applicable wire) : AWG24#~20#
- ▶ 适用基板厚度 (Applicable PC board thickness) : --
- ▶ 温度范围 (Temperature range) : -25°C~+85°C
- ▶ 额定电压 (Voltage rating) : 250V AC, DC
- ▶ 额定电流 (Current rating) : 3A AC, DC
- ▶ 接触电阻 (Contact resistance) : $\leq 0.02\Omega$
- ▶ 绝缘电阻 (Insulation resistance) : $\geq 1000M\Omega$
- ▶ 耐压 (Withstanding voltage) : 1000V AC/minute

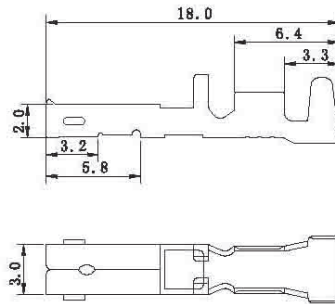
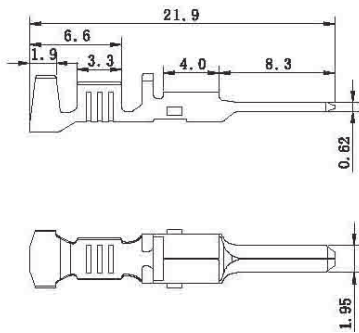
材料及电镀规格 Material and Finish

型号 Type	材料 Material	材料厚度 Material Thickness	电镀规格 Finish
端子 TERMINAL	锡青铜 Phosphor bronze	0.3mm	镀锡 Tin-plated

产品尺寸图 Product size chart

 单位: mm 一般公差: ± 0.20

TERMINAL

B450003-3-I **35745-0110**
B450003-4-I **35746-0110**

B450003-3-II **35747-0110**
B450003-4-II **35748-0110**
