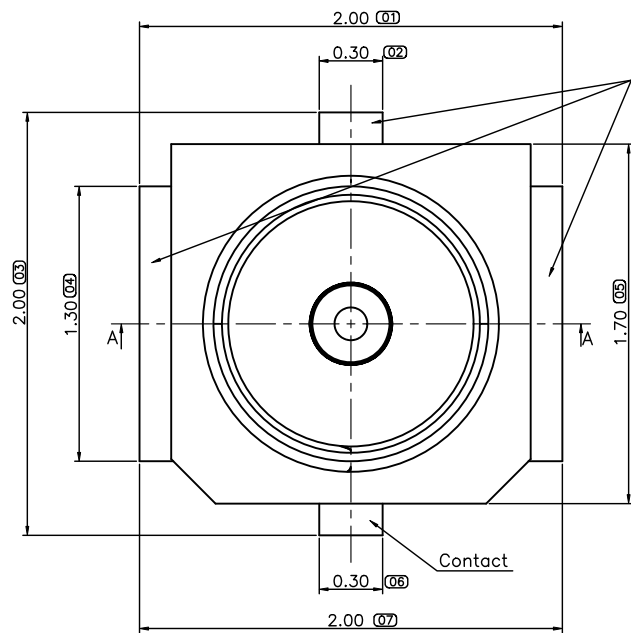


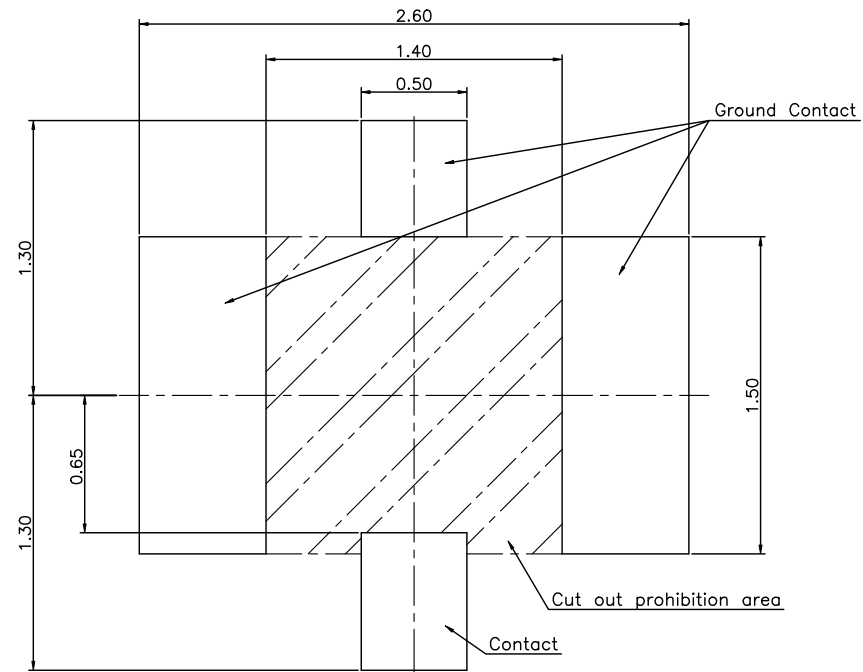
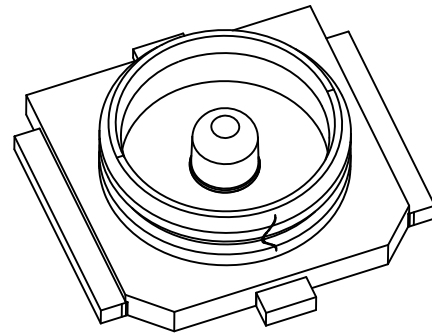
A3

REV	ECN NO	DESCRIPTION	DATE	APPD
X1		INITIAL EDITION	2015.09.07	Bill Zheng



Ground Contact

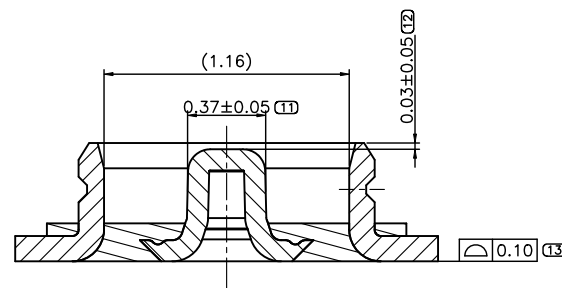
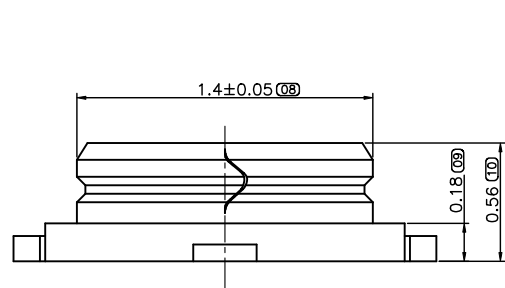
Contact



Recommended PCB Layout
(General Tolerance Is ±0.05)

NOTE:

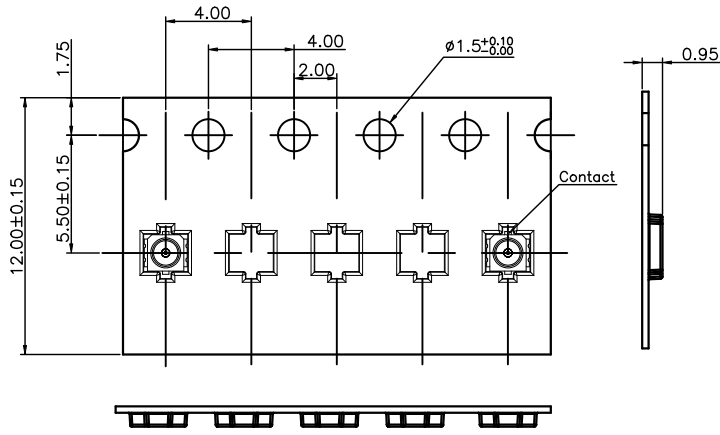
- MATERIAL:
 - HOUSING: THERMOPLASTIC, COLOR: BLACK, UL 94V-0;
 - CONTACT: COPPER ALLOY, T=0.10mm;
 - SHELL: COPPER ALLOY, T=0.10mm.
- FINISH:
 - CONTACT: PLATING Au ON CONTACT AND SOLDERING AREA, NICKEL UNDERPLATING OVER ALL;
 - SHELL: PLATING Au ON CONTACT AND SOLDERING AREA, NICKEL UNDERPLATING OVER ALL;
- THE INCOMING MATERIAL, MANUFACTURING PROCESS AND THE SHIPMENT MUST ACCORD WITH THE REQUIREMENT OF FAF JH-GP-213 ENVIRONMENT MANAGEMENT MATERIAL FORBIDDEN USED PROCEDURE.



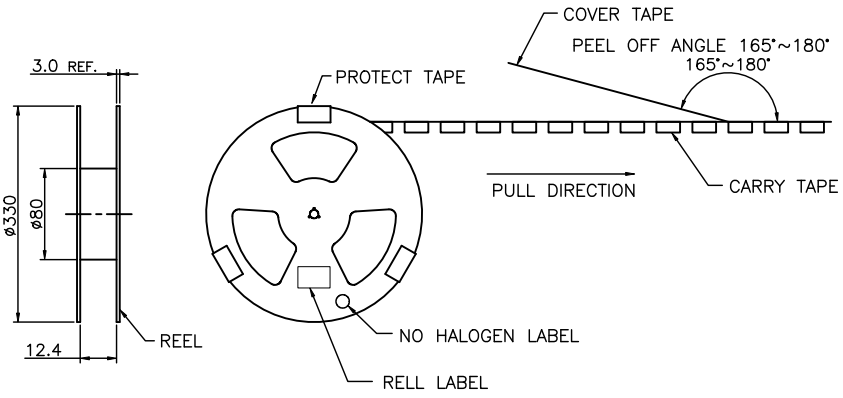
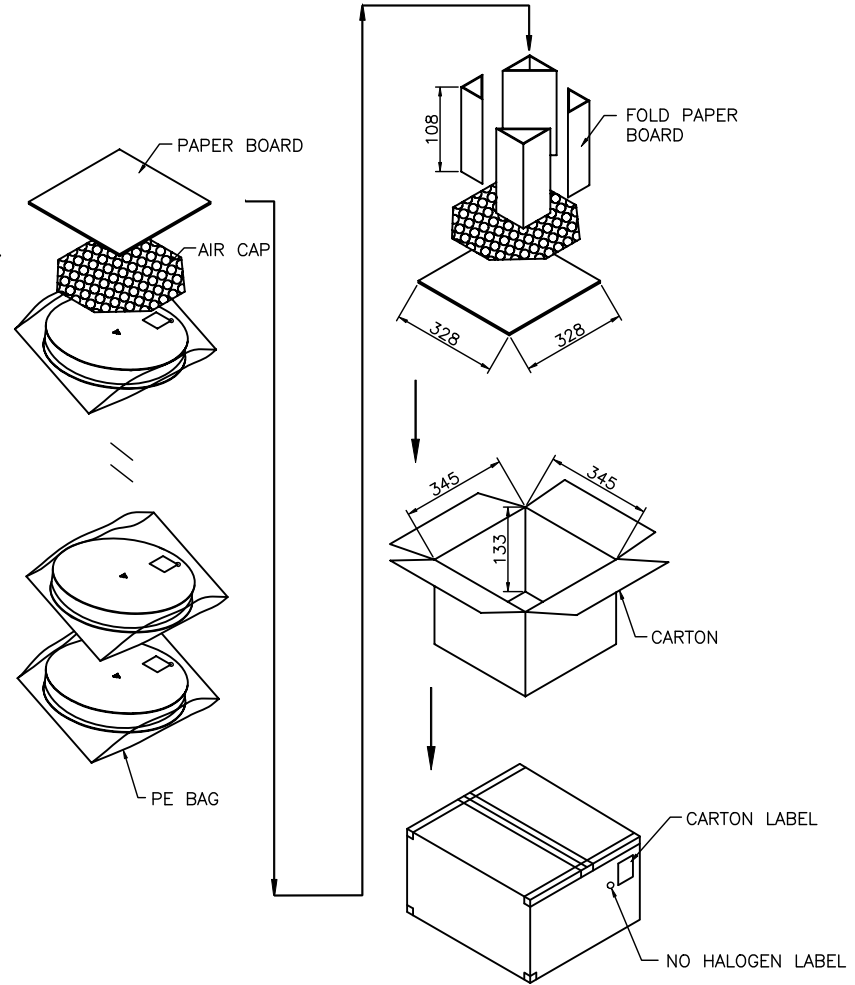
SECTION: A-A

EXTEND USE				TITLE			
RF 1.0H REC Connector		UNIT mm		7.032A0 Connector Customer Drawing		DWG NO C-7.032A0	
GENERAL TOLERANCE (M)		MATERIAL		APPD		P/N:	
DIMENSION		ANGLES		QTY		7.032A0-000-1R0	
.0 ±0.25		.0 ±2°		CHD		Bill Zheng 2015.09.07	
.00 ±0.20		.00 ±1°		FINISHED		DRN	
.000 ±0.10				DRN		Tony Tai 2015.09.07	
				SHEET		SCALE	
				1/2		1:1	
				REV		X1	

REV	ECN NO	DESCRIPTION	DATE	APPD
		SEE SHEET 1/2		



无卤
No
halogen
φ25
NO HALOGEN LABEL



INFORMATIONS OF THE PACKING

TITLE	P/N	Q'TY/REEL	Q'TY/CARTON
7.032A0 CONNECTOR	7.032A0-000-1R0	5000PCS	20000PCS



REEL LABEL



CARTON LABEL

EXTEND USE		TITLE	
RF 1.0H REC Connector		7.032A0 Connector Customer Packing	
UNIT mm		DWG NO C-7.032A0-P	
GENERAL TOLERANCE		MATERIAL APPD Nike Xiang 2015.09.07	
DIMENSION	ANGLES	QTY CHD Bill Zheng 2015.09.07	
. ±0.30	. ±3°	FINISHED DRN Tony Tai 2015.09.07	
.0 ±0.25	.0 ±2°	SHEET 2/2	
.00 ±0.20	.00 ±1°	SCALE 1:1	
.000 ±0.10		REV X1	

